

Max load		
P1=kg	P2=kg	Torque=nm
150	75	230

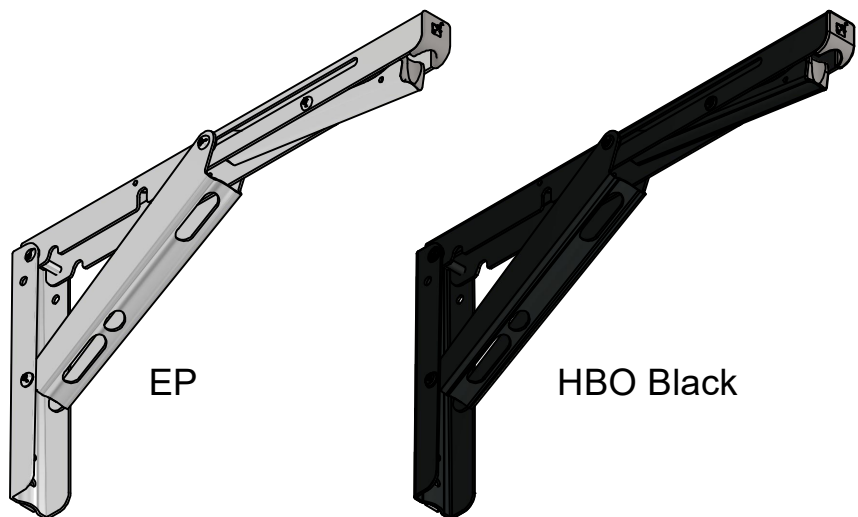
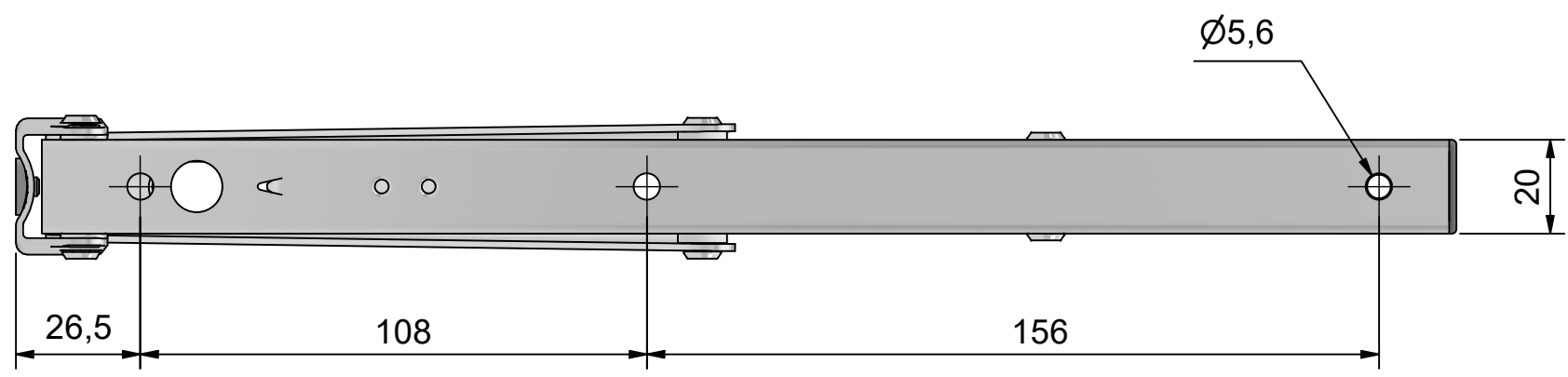


Table	
Item no.	Surface treatment
907660	Electro polished
917560	HBO Black

AISI304 / EP / HBO		Date
Description		V3 230117/LW
Robust L		Item no.
		907660-917560

