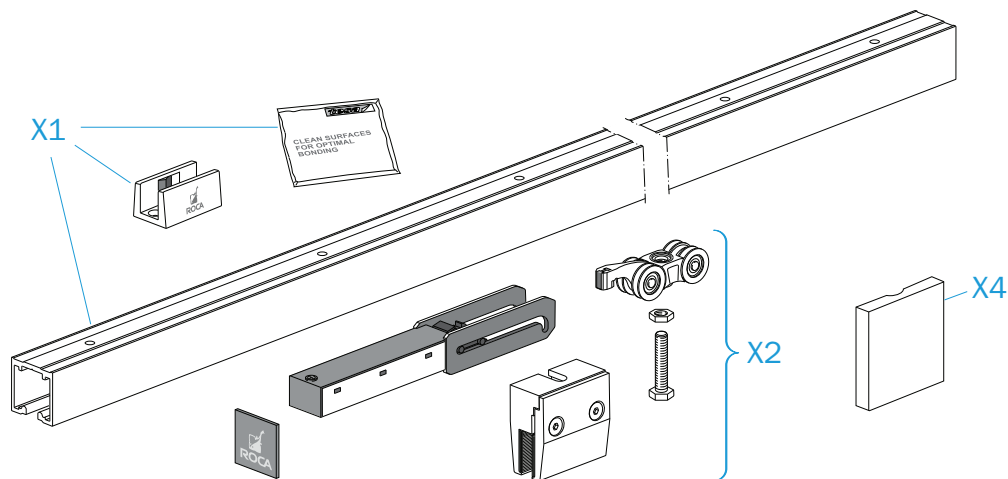


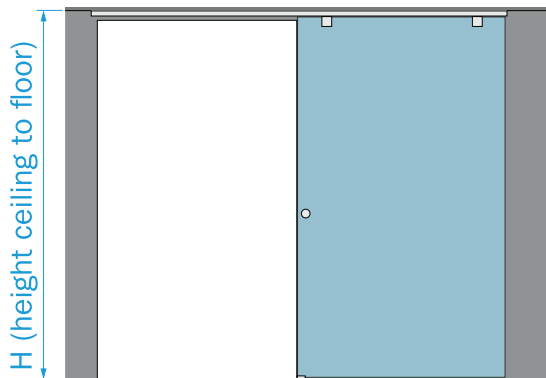
ROCA Soft Compact RG-320



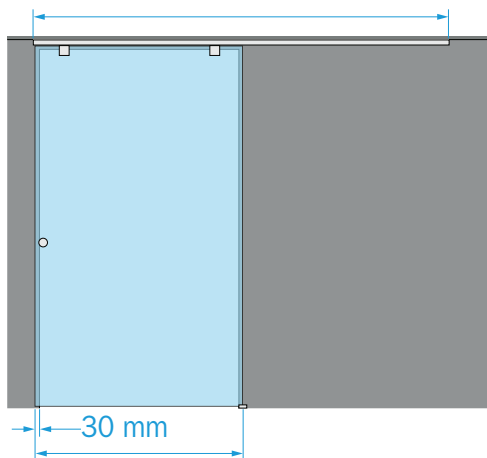
MAX Height-Width
 Ratio of the door is 2,5:1
 Door weight = 35-65 kg
 Fits glass thickness 8-10 mm

MIN Glass width = 750 mm
 MAX Glass width = 1355 mm

Profile standard length = 2700 mm
 Length of profile = $(2 \times CW) + 110$



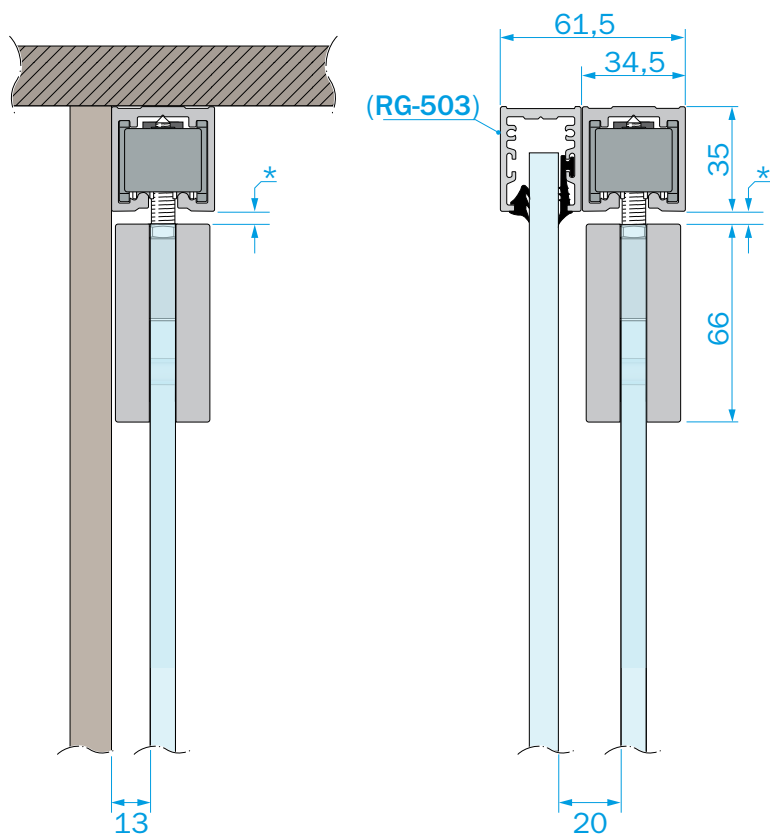
CW clear opening max 1295 mm



Glass width max 1355 mm

Door width = CW + 60
 (30 + 30 mm overlap)





* Distance profile to glass.

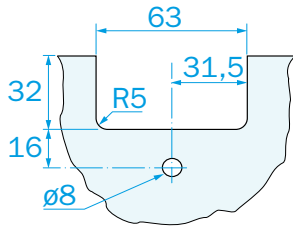
Alt.1 Def. 2 mm (max 8 mm)

Alt.2 Def. 34 mm (max 40 mm)

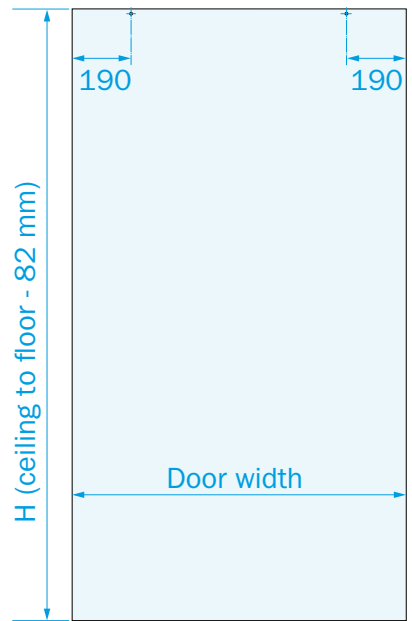
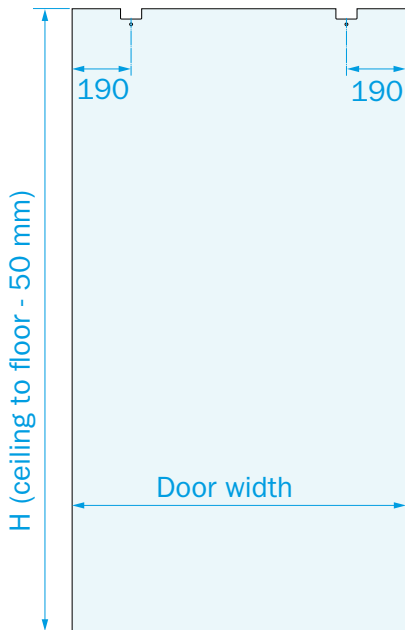
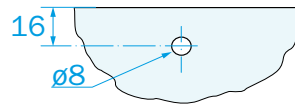
The default dimensions 2 mm and 34 mm give a distance to floor of 13 mm.

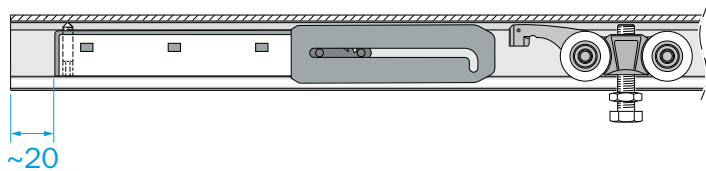
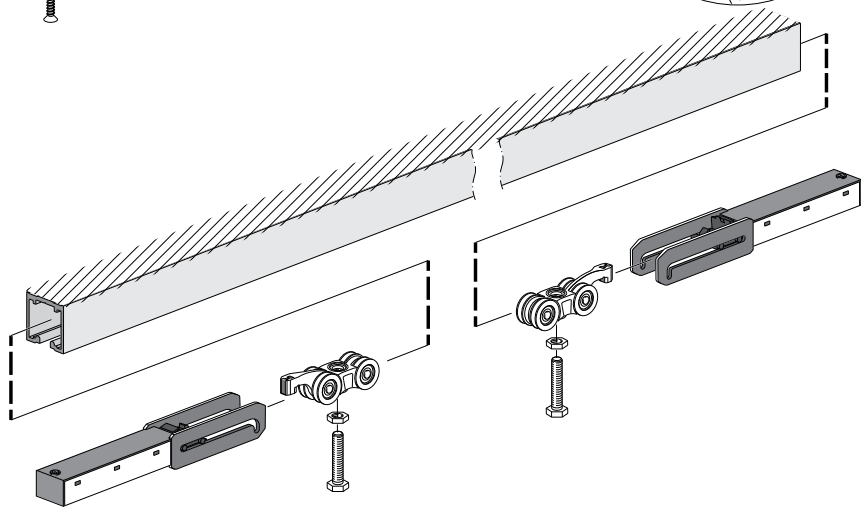
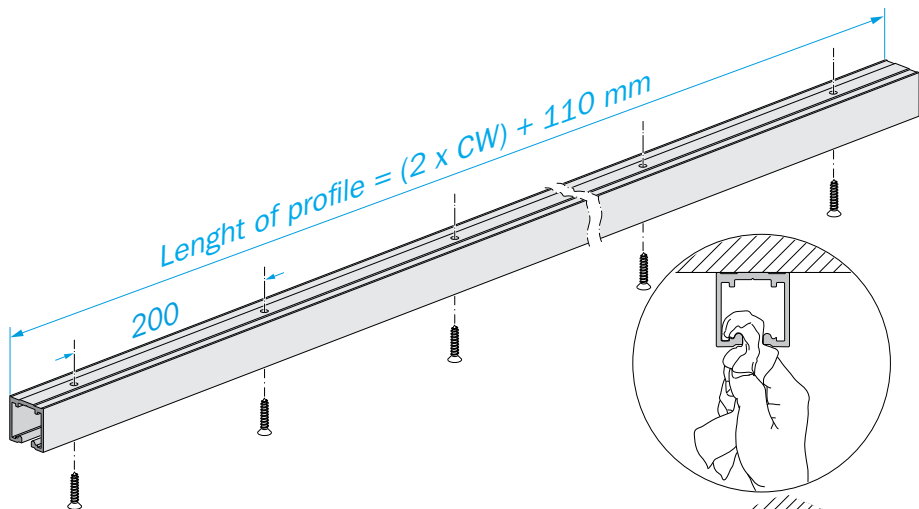
Glass cut out.

Alt.1

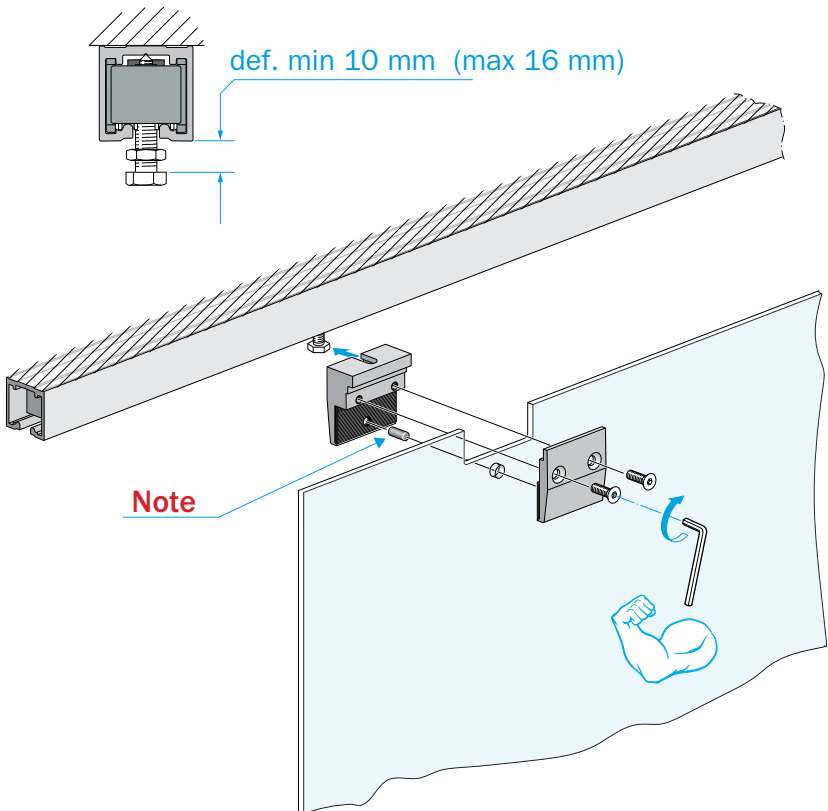
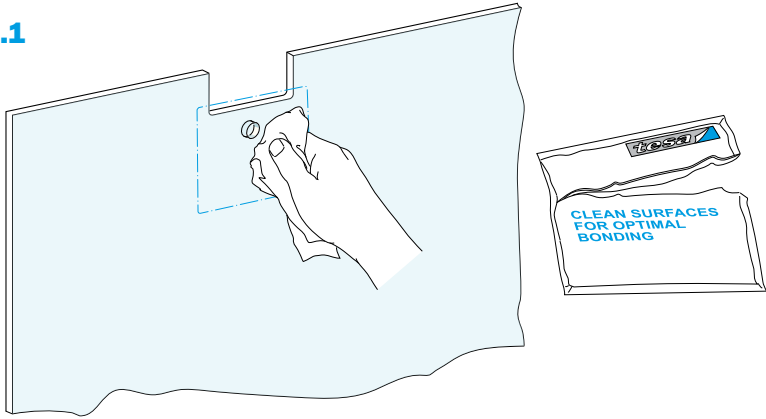


Alt.2

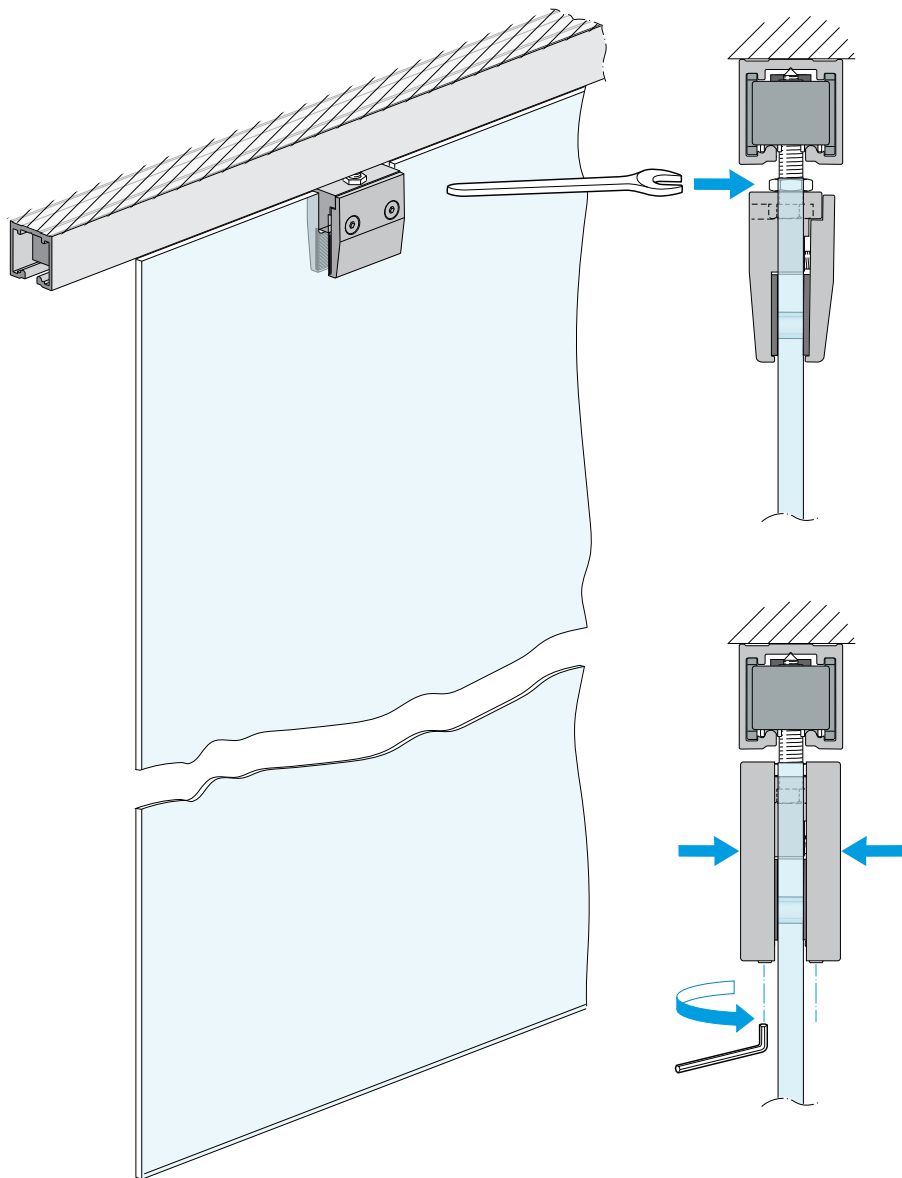




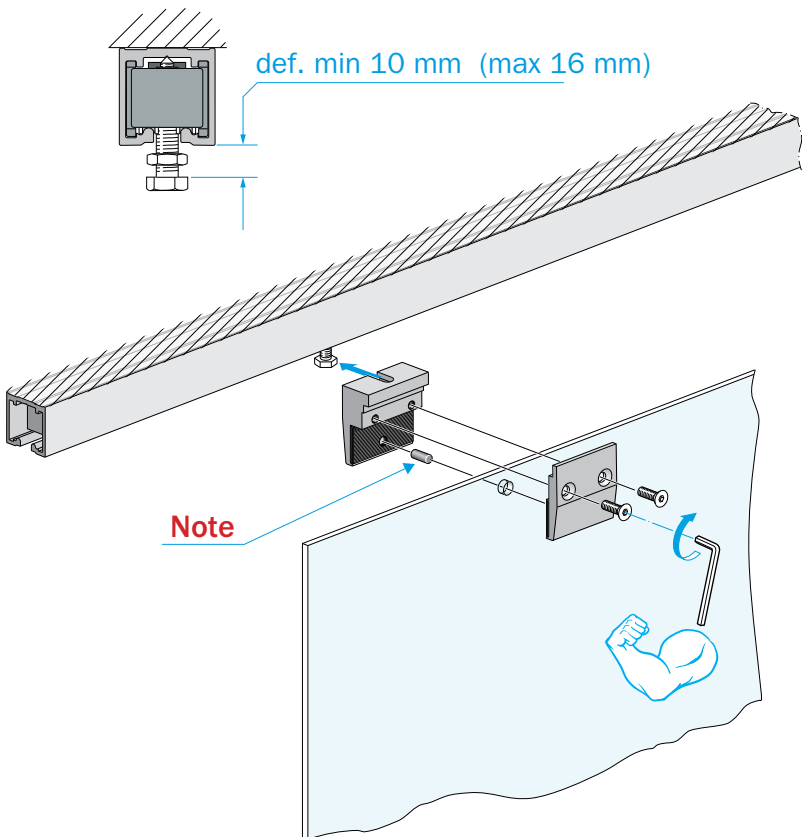
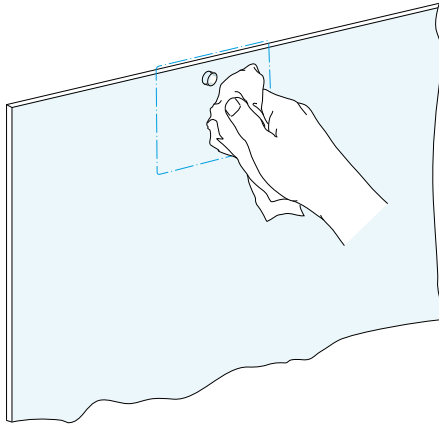
Alt.1



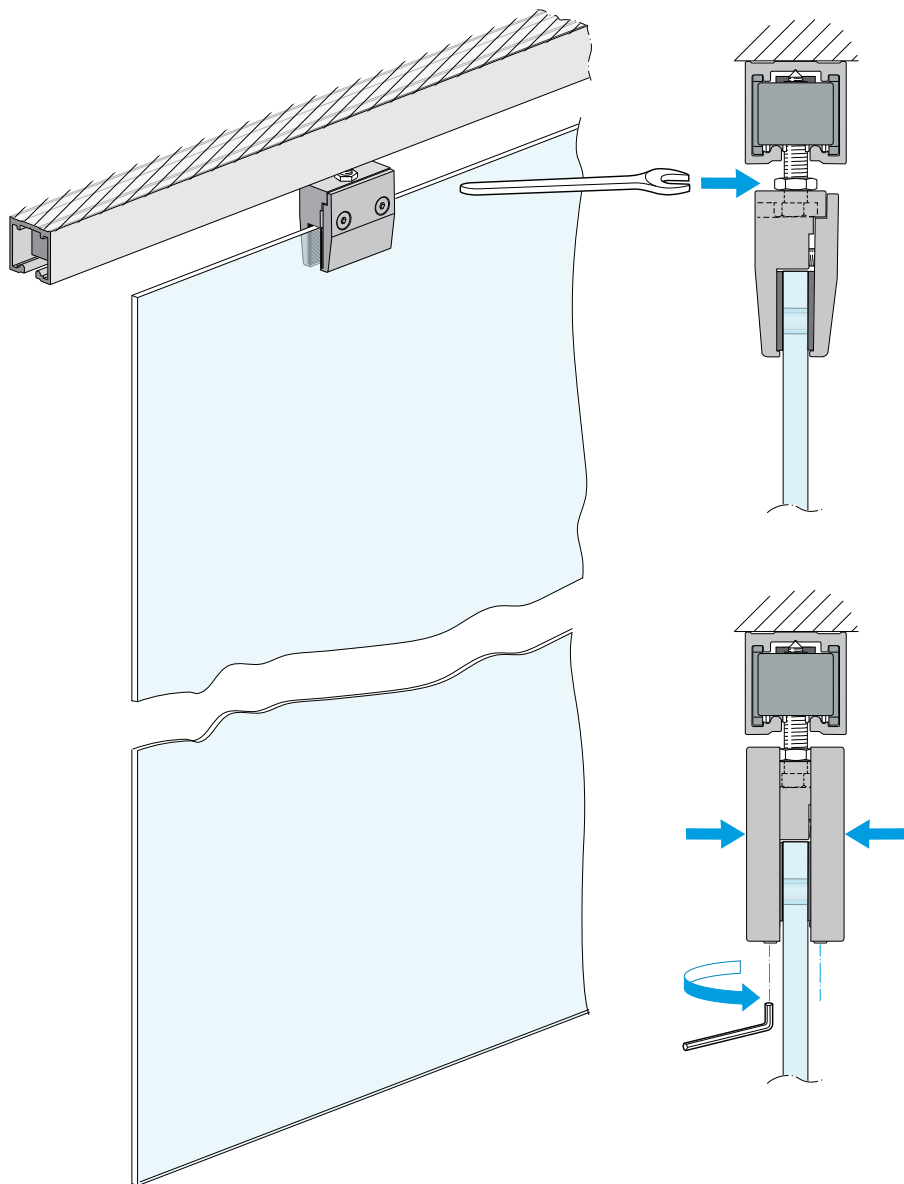
Alt.1

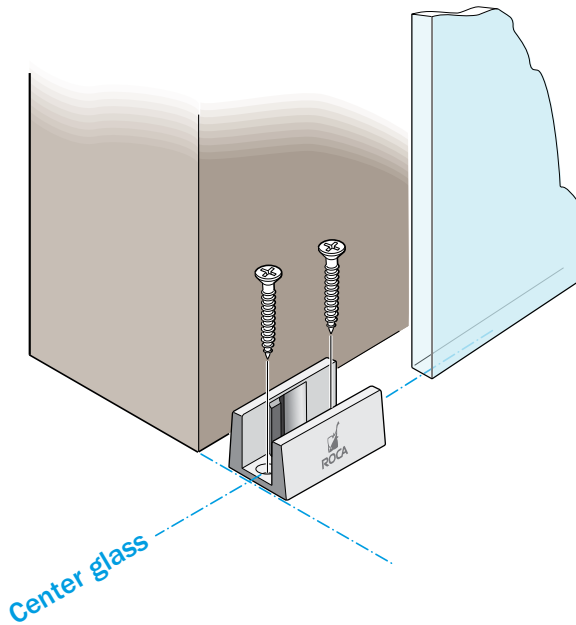
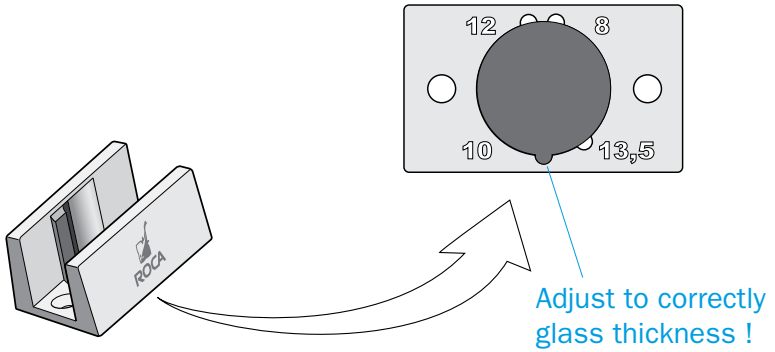


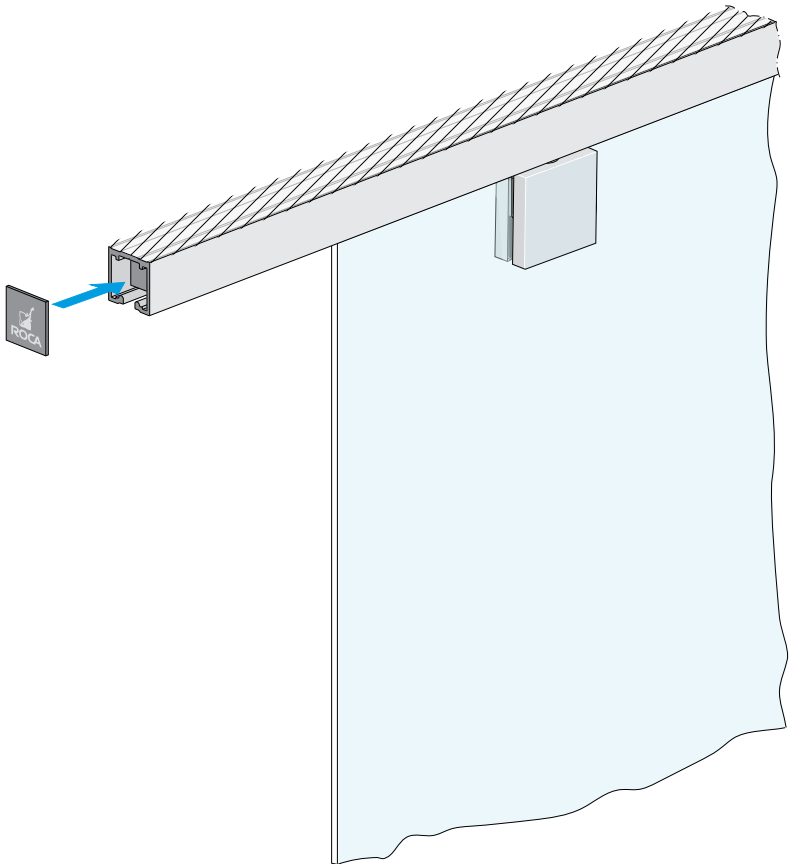
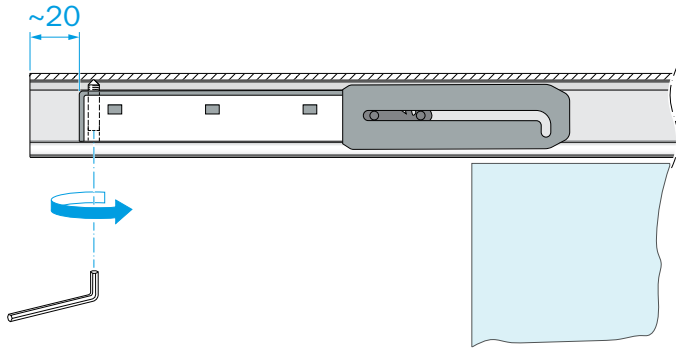
Alt.2



Alt.2









rocaindustry.com